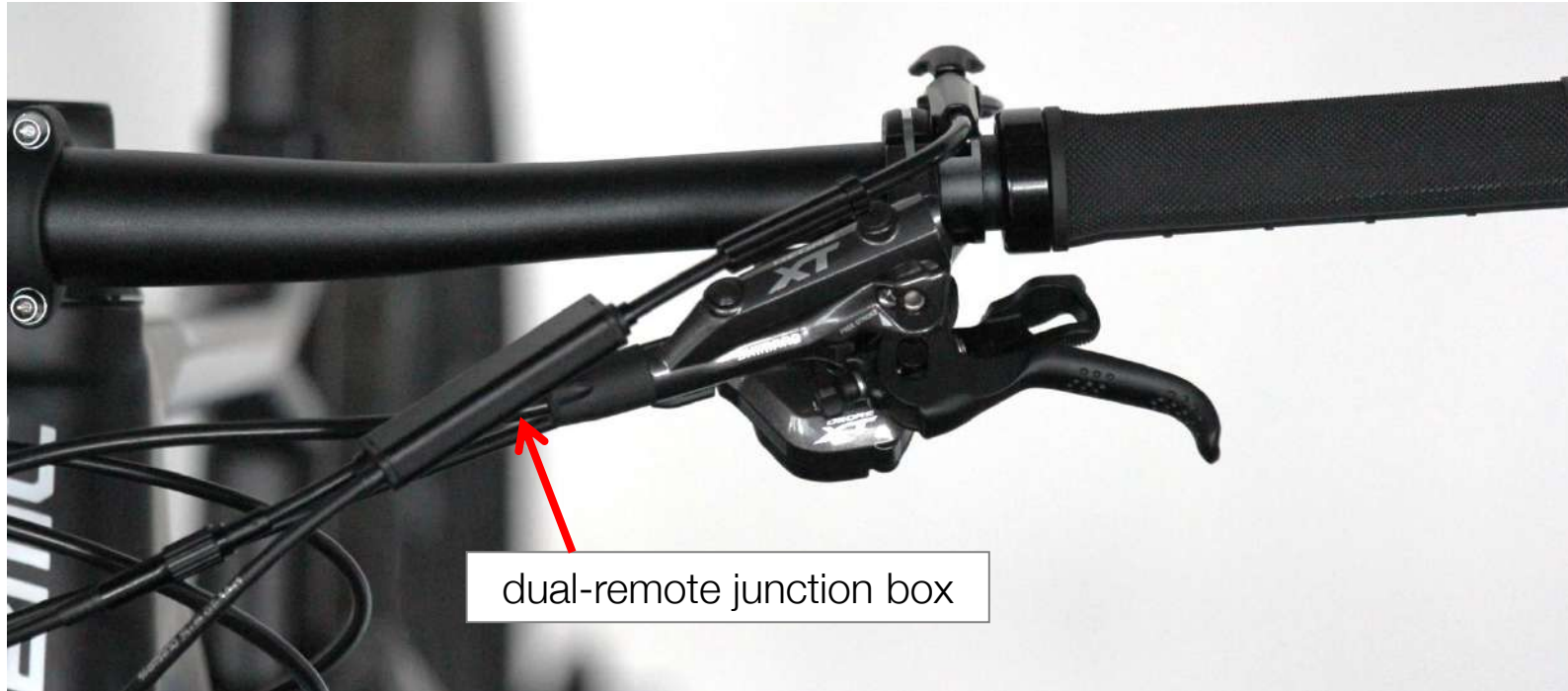




2016 Fourstroke

Remote Lockout Installation Manual

Mount the remote lever on the left-hand side of the handlebar and use continuous housing the entire length necessary. Install the dual-remote lockout unit.



dual-remote junction box

Dual remote installation:

<http://www.ridefox.com/help.php?m=bike&id=524#reversingthe2014ctdremotelever>

From the factory position, the shock remote housing stop will need to be re-positioned 180° to point upward



Instructions for reversing the shock cable stop:

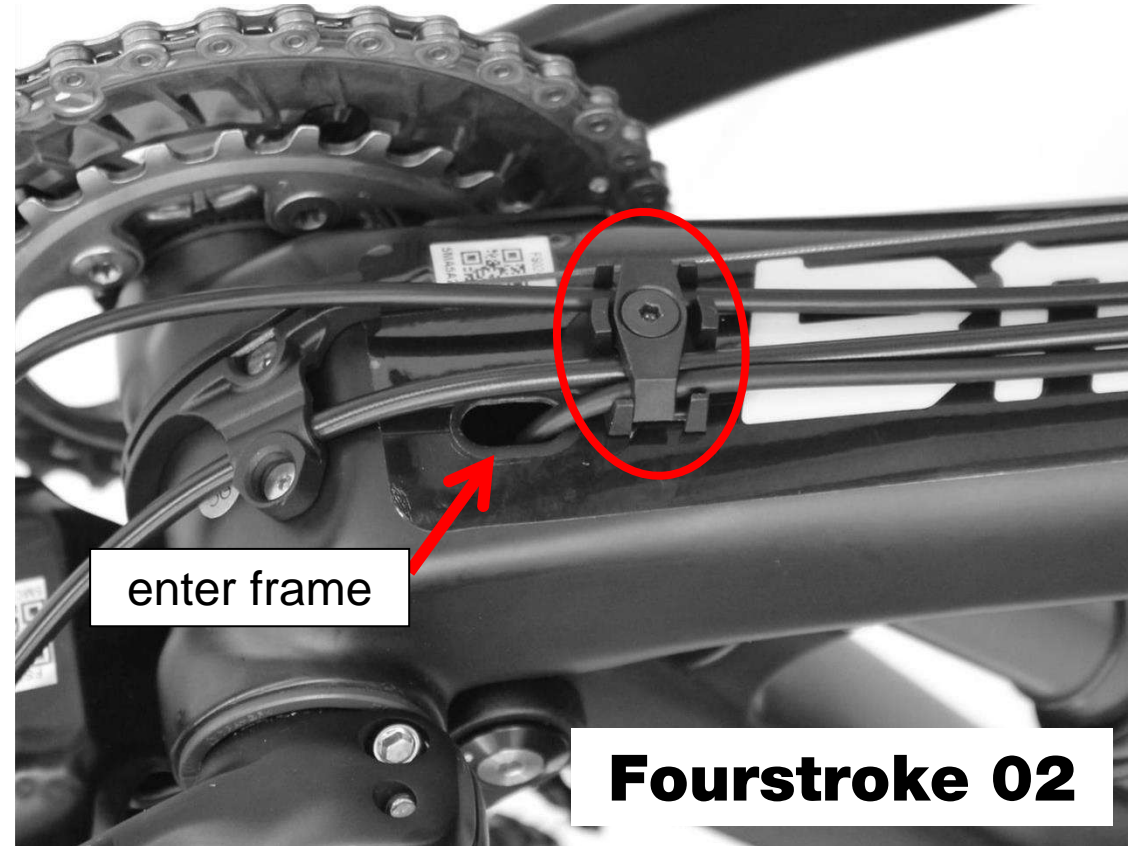
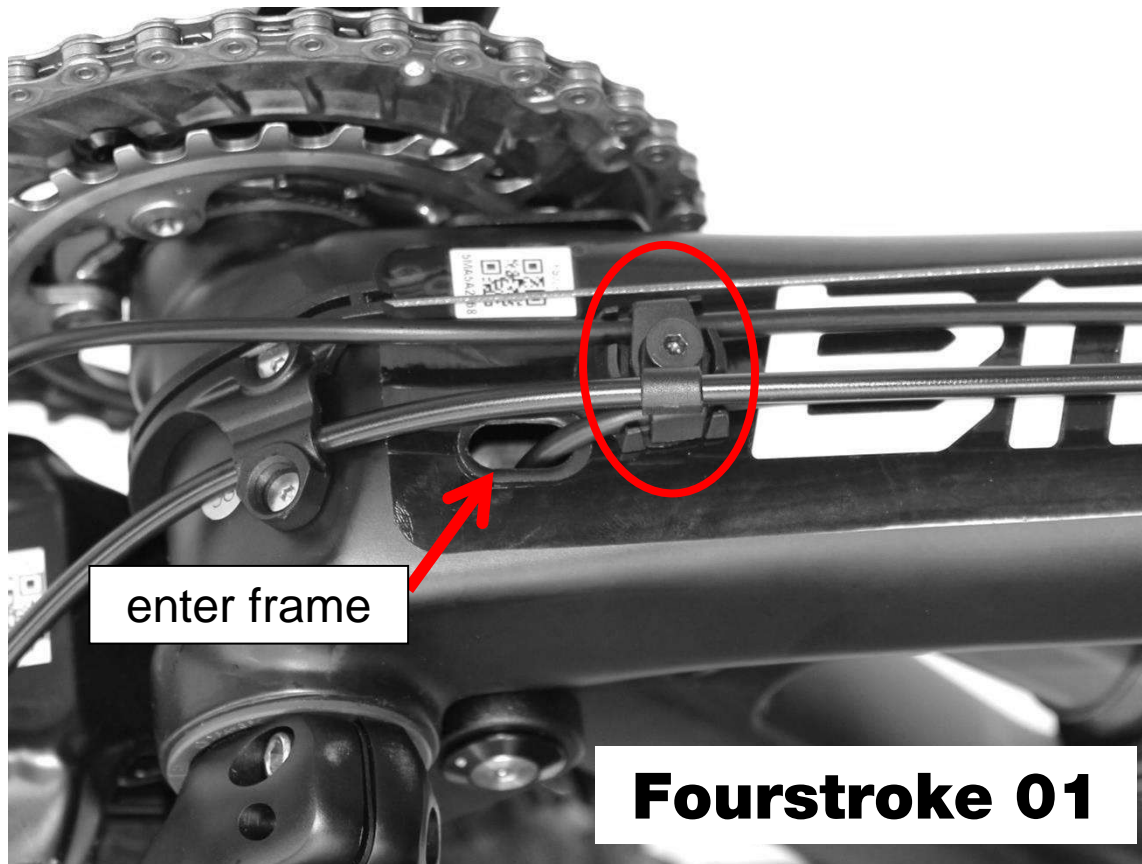
<http://www.ridefox.com/help.php?m=bike&id=93>

The remote lockout housing runs along the downtube, parallel to the rear derailleur housing and rear brake line.

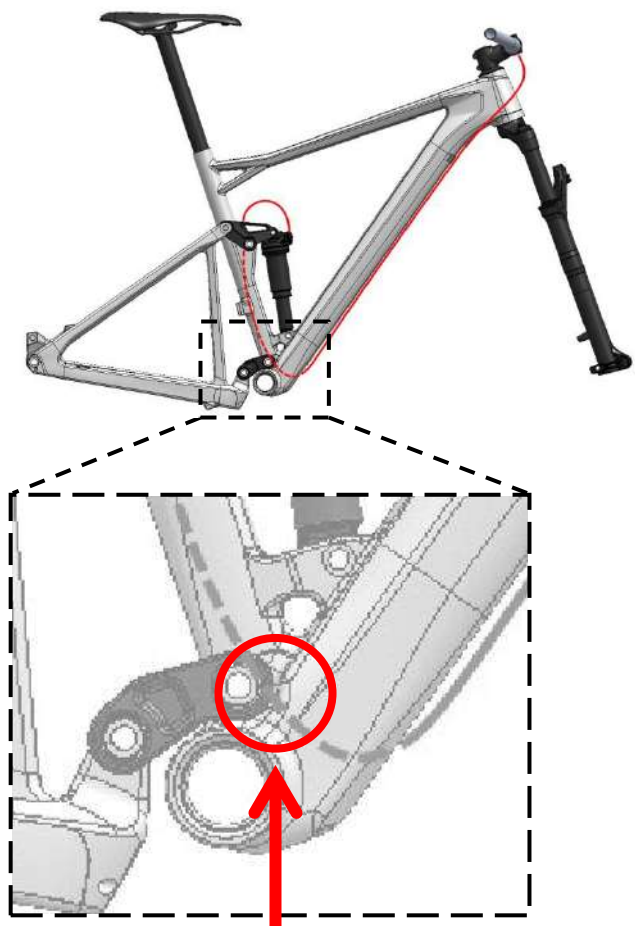


The remote lockout housing enters the frame just behind the cable management mount, in front of the bottom bracket.

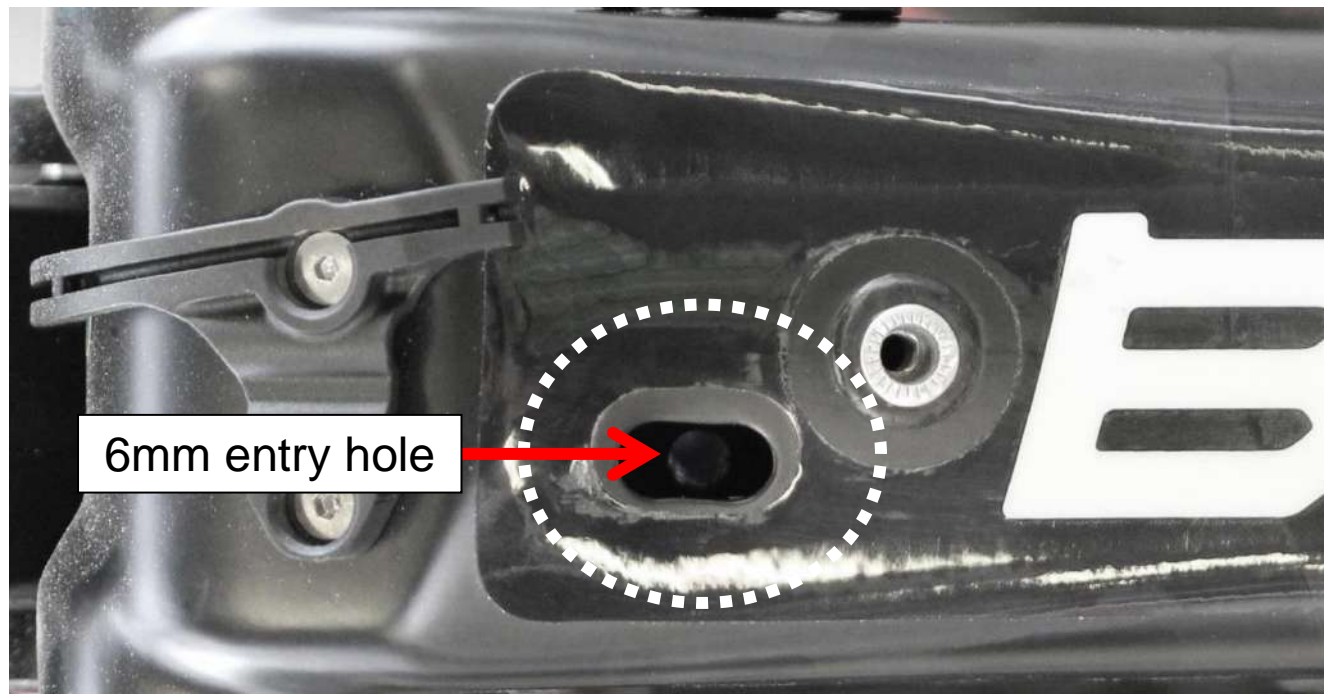
**Note: there is a slight difference in cable management hardware between 01 & 02 models (circled).



When guiding the housing upward through the downtube, toward the bottom bracket / seat tube junction, there is a 6mm hole inside the frame that must be navigated to successfully guide the cable further through the frame.



Approximate hole location inside frame



The housing exits the frame behind the Rockerarm and curves forward and down towards the rear shock.



Reversing the lever for left-side mount:

<http://www.ridefox.com/help.php?m=bike&id=524#reversingthe2014ctdremotelever>

Dual remote installation:

<http://www.ridefox.com/help.php?m=bike&id=524#reversingthe2014ctdremotelever>

Instructions for reversing the shock cable stop:

<http://www.ridefox.com/help.php?m=bike&id=93>